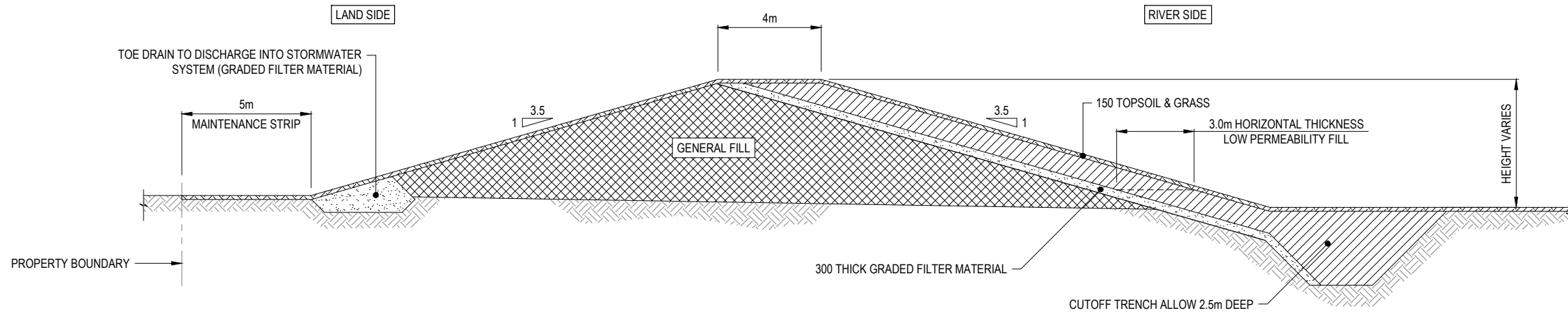
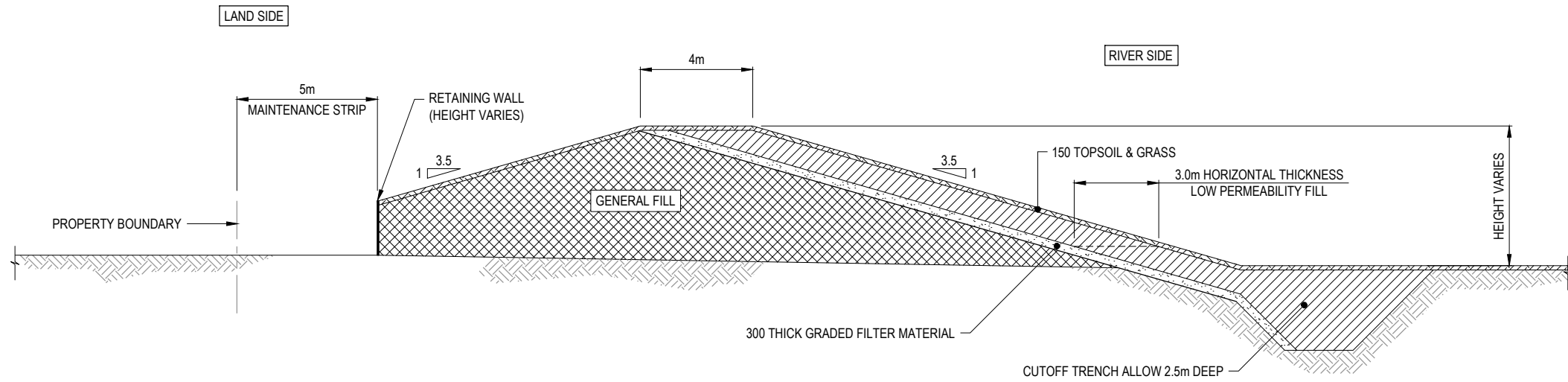


LEGEND	
	PROPERTY BOUNDARY
	TOPSOIL & GRASS
	LOW PERMEABILITY FILL
	FILTER MATERIAL
	GENERAL FILL
	EXISTING GROUND

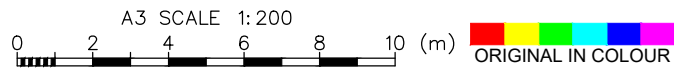
NOTE:
ALL DIMENSIONS ARE IN MILLIMETRES UNLESS NOTED OTHERWISE.



TYPICAL SECTION **1** NEW STOPBANK
SCALE 1: 200



TYPICAL SECTION **2** NEW STOPBANK WITH RETAINING WALL
SCALE 1: 200



RESOURCE CONSENT

A	DESIGN FREEZE 1	DSW	LOHA	11/25/2020		
B	DESIGN FREEZE 2 - DRAFT	RHTA	LOHA	03/12/2021		
C	RESOURCE CONSENT	RHTA	LOHA	05/18/2021		
No	Revision	Note: * indicates signatures on original issue of drawing or last revision of drawing	Drawn	Checked	Approved	Date

RiverLink

Isthmus. **Tonkin+Taylor** **GHD** **Holmes**

DO NOT SCALE
COPYRIGHT ISTHMUS GROUP LIMITED
This document may only be used by Isthmus' client (and any other person who Isthmus has agreed can use this document) for the purpose for which it was prepared and must not be used by any other person or for any other purpose.

Drawn	DSW	Designer	TXH
Drafting Check	RBS	Design Check	LOHA
Approved			
Date	03/12/2021		
Scale	1:200		

Client	RIVERLINK		
Project	RIVERLINK		
Title	STOPBANK TYPICAL CROSS SECTIONS		
Original Size	A3	Drawing No:	A16-4381-SB700

Rev: C