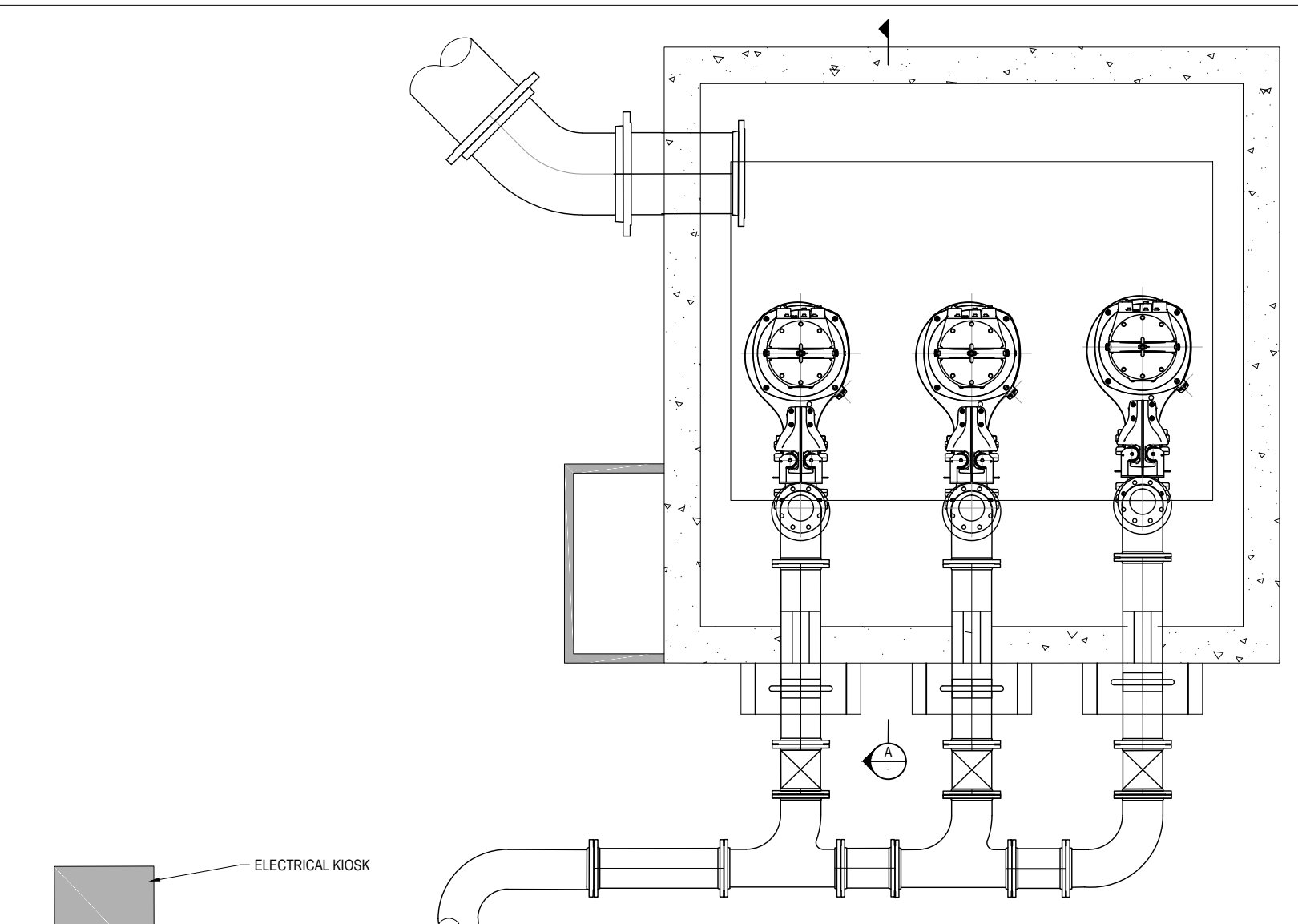
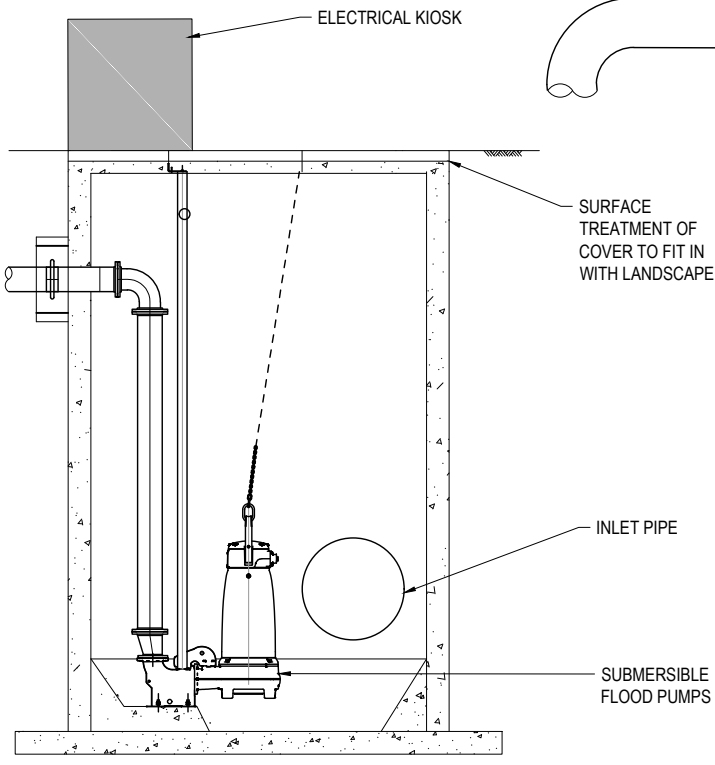


TYPICAL PUMP STATION LAYOUT PLAN
SCALE 1:200



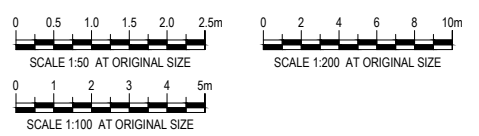
TYPICAL PUMPSTATION PLAN
SCALE 1:50



- NOTES:**
1. PS DIMENSIONS TO SUIT PUMPING REQUIREMENT BUT IN ORDER OF 9m x 10m
 2. PS BUILDING SIZED TO ACCOMMODATE FUTURE PUMP REQUIREMENTS

RESOURCE CONSENT

C	RESOURCE CONSENT	RK	SJ	AWH	08.07.21	
B	DESIGN FREEZE 2	RG	SJ*	AWH*	26.03.21	
A	DESIGN FREEZE 2 - FOR REVIEW	MM				
No	Revision	Note: * indicates signatures on original issue of drawing or last revision of drawing	Drawn	Checked	Approved	Date



RiverLink

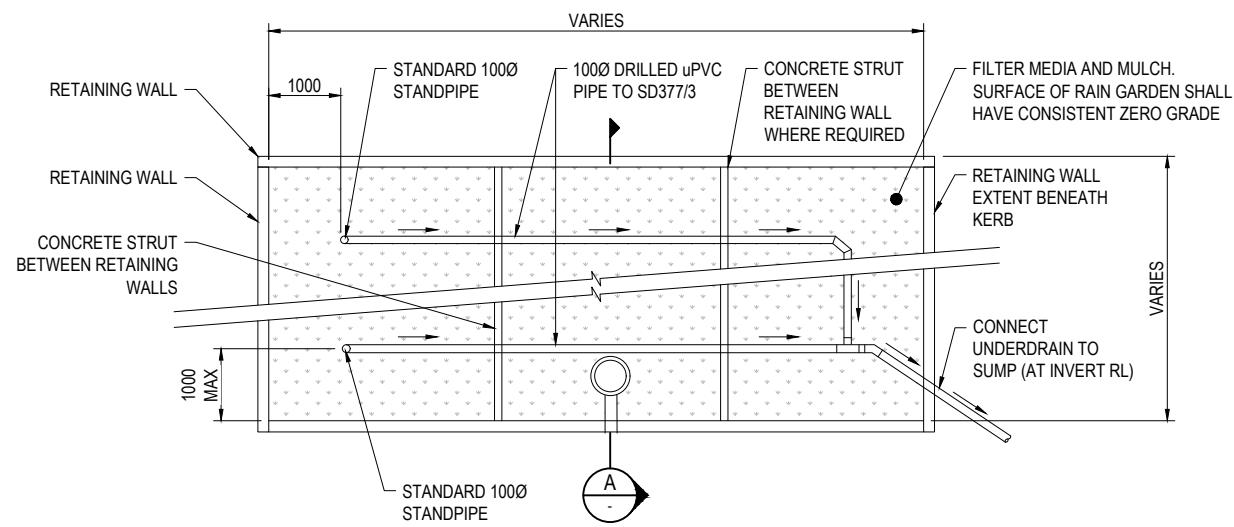
Isthmus. **Tonkin+Taylor** **GHD** **Holmes**

DO NOT SCALE

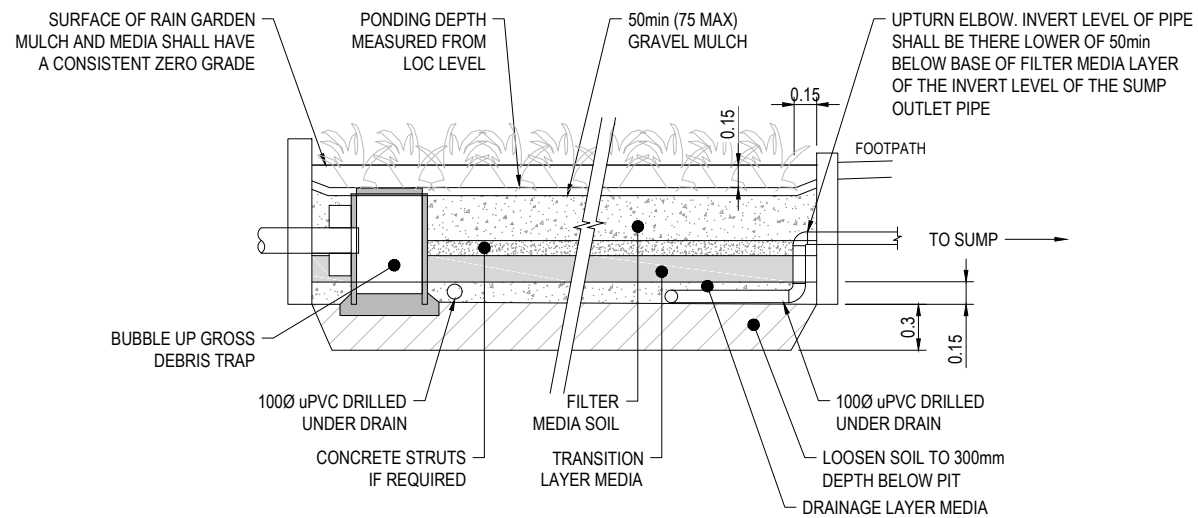
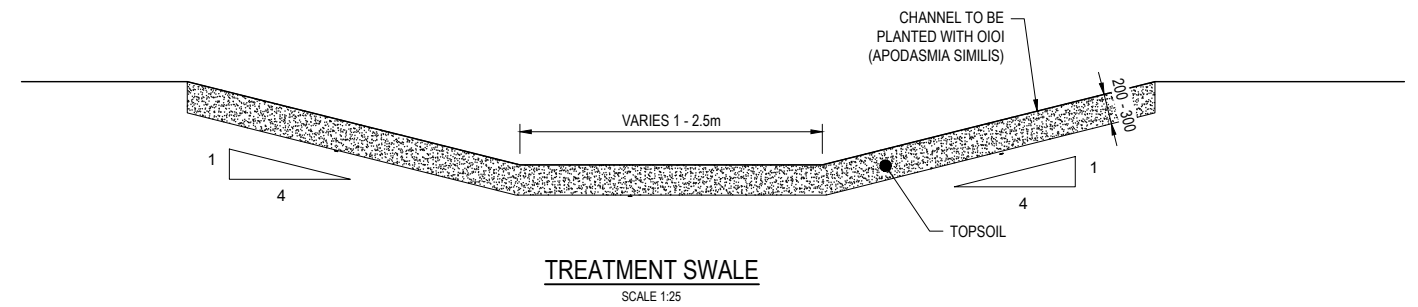
COPYRIGHT ISTHMUS GROUP LIMITED®
This document may only be used by Isthmus' client (and any other person who Isthmus has agreed can use this document) for the purpose for which it was prepared and must not be used by any other person or for any other purpose.

Drawn	M. MARSHALL	Designed	A. INGLIS
Drafting Check		Design Check	
Approved			
Date			
Scale		This Drawing must not be used for construction unless signed as Approved	

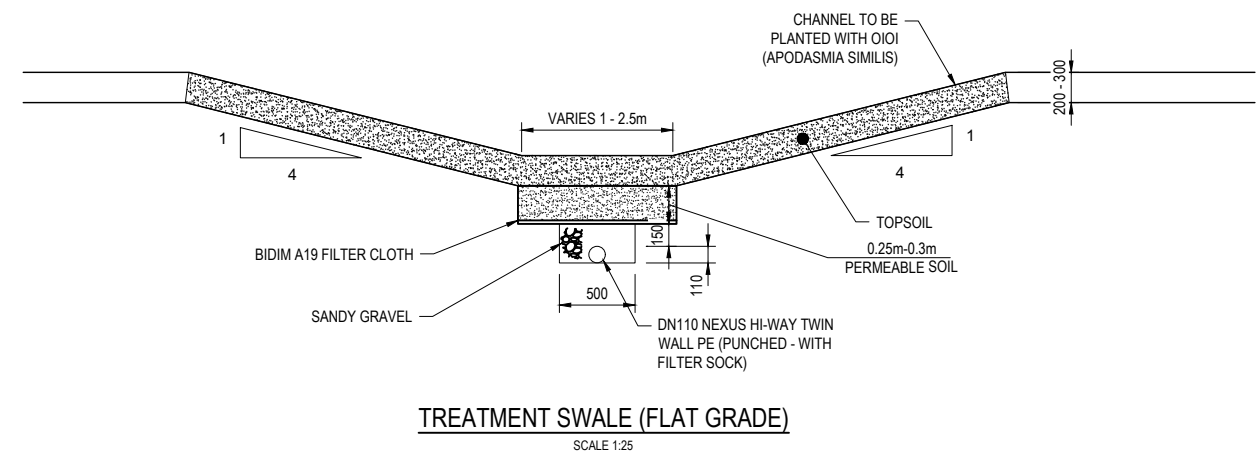
Client	RIVERLINK	Original Size	Drawing No: A16-4381-C361	Rev: C
Project	RIVERLINK			
Title	STORMWATER TREATMENT TYPICAL DETAILS SHEET 1 OF 3			



TYPICAL RAIN GARDEN DETAIL
SCALE 1:50

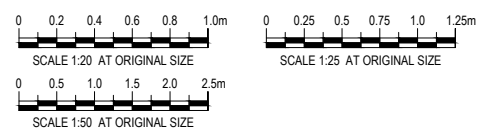


A SECTION
SCALE 1:25



RESOURCE CONSENT

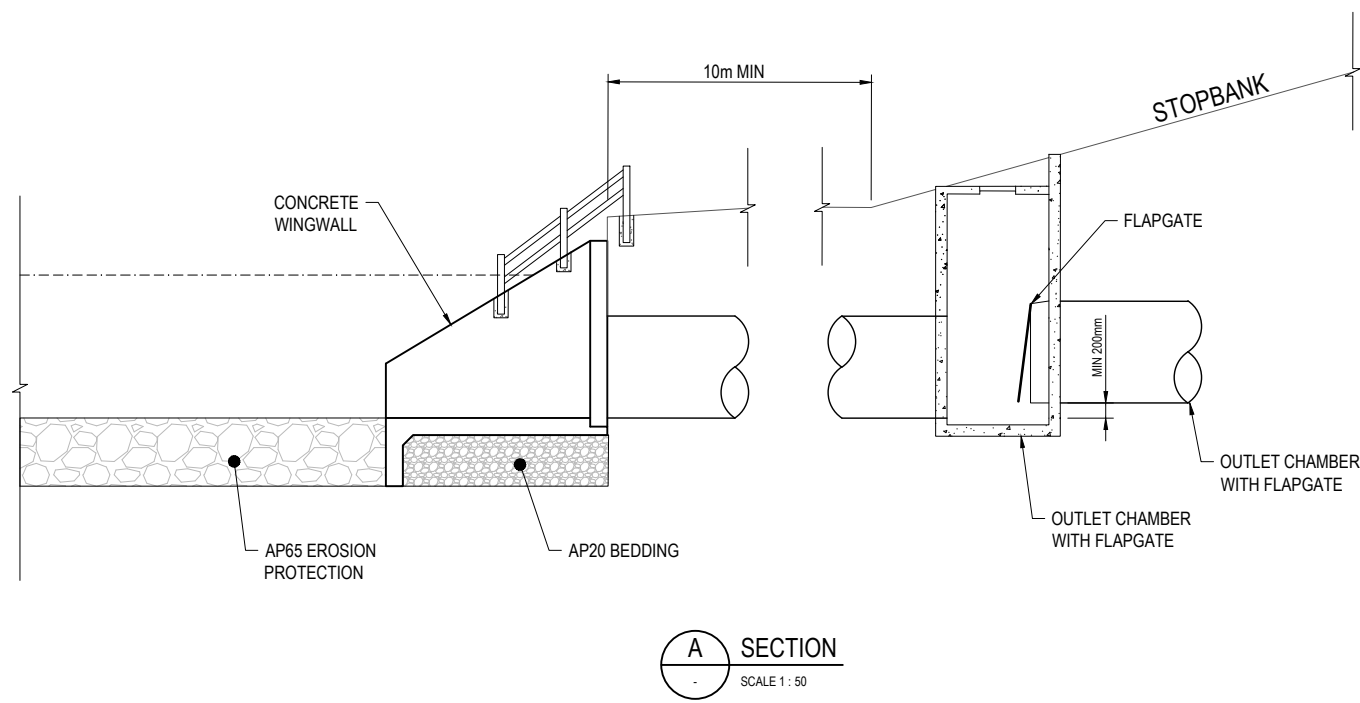
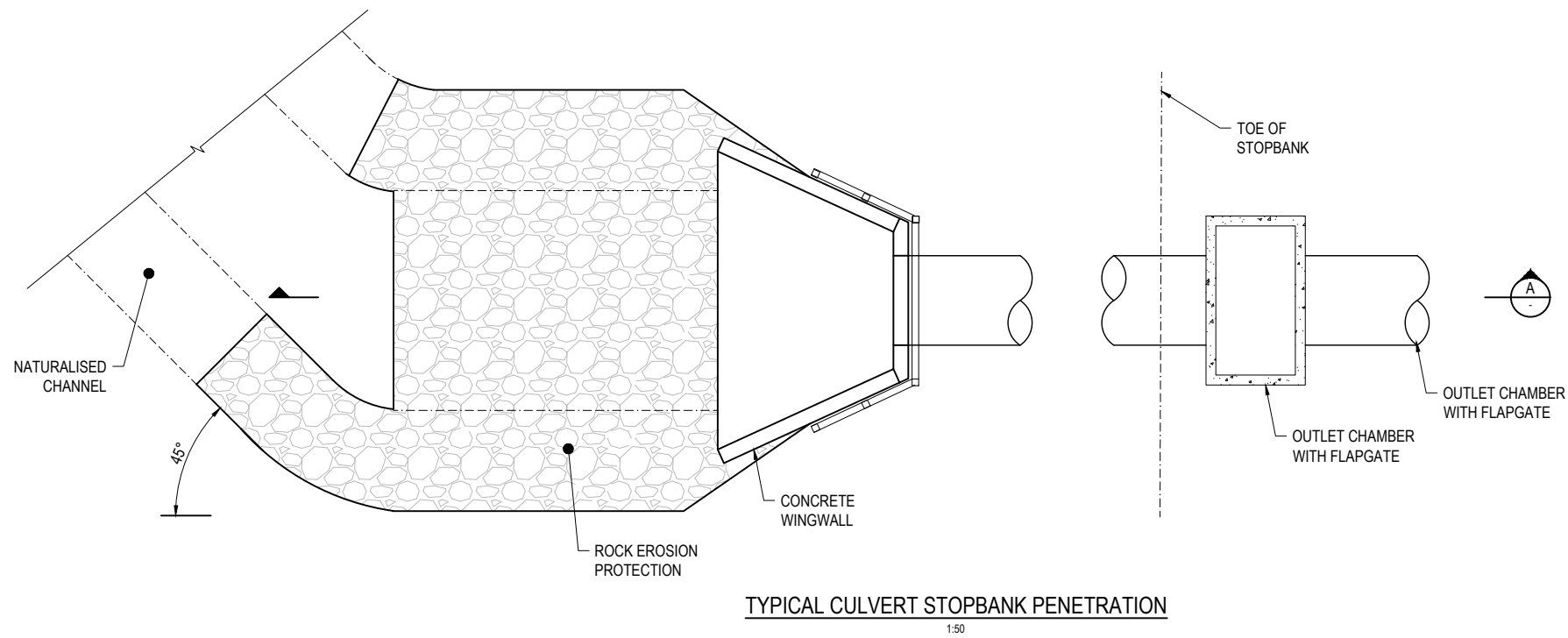
C	RESOURCE CONSENT	RK	SJ	AWH	08.07.21	
B	DESIGN FREEZE 2	RG	SJ*	AWH*	26.03.21	
A	DESIGN FREEZE 2 - FOR REVIEW	MM				
No	Revision	Note: * indicates signatures on original issue of drawing or last revision of drawing	Drawn	Checked	Approved	Date



DO NOT SCALE
COPYRIGHT ISTHMUS GROUP LIMITED®
This document may only be used by Isthmus' client (and any other person who Isthmus has agreed can use this document) for the purpose for which it was prepared and must not be used by any other person or for any other purpose.

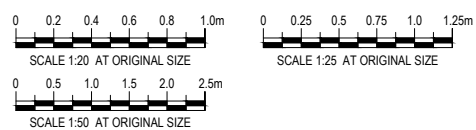
Drawn	M. MARSHALL	Designed	A. INGLES
Drafting Check		Design Check	
Approved			
Date			
Scale		This Drawing must not be used for Construction unless signed as Approved	

Client	RIVERLINK	Original Size
Project	RIVERLINK	
Title	STORMWATER TREATMENT TYPICAL DETAILS SHEET 2 OF 3	
Drawing No:	A16-4381-C362	Rev: C



RESOURCE CONSENT

C	RESOURCE CONSENT	RK	SJ	AWH	08.07.21	
B	DESIGN FREEZE 2	RG	SJ*	AWH*	26.03.21	
A	DESIGN FREEZE 2 - FOR REVIEW	MM				
No	Revision	Note: * indicates signatures on original issue of drawing or last revision of drawing	Drawn	Checked	Approved	Date



DO NOT SCALE
COPYRIGHT ISTHMUS GROUP LIMITED®
This document may only be used by Isthmus' client (and any other person who Isthmus has agreed can use this document) for the purpose for which it was prepared and must not be used by any other person or for any other purpose.

Drawn	M. MARSHALL	Designed	A. INGLES
Drafting Check		Design Check	
Approved			
Date			
Scale		This Drawing must not be used for Construction unless signed as Approved	

Client	RIVERLINK	Original Size
Project	RIVERLINK	
Title	STORMWATER TREATMENT TYPICAL DETAILS	
	SHEET 3 OF 3	
Drawing No:	A16-4381-C363	Rev: C